

Concurrent Quantum Separation Logic for Fine-Grained Parallelism

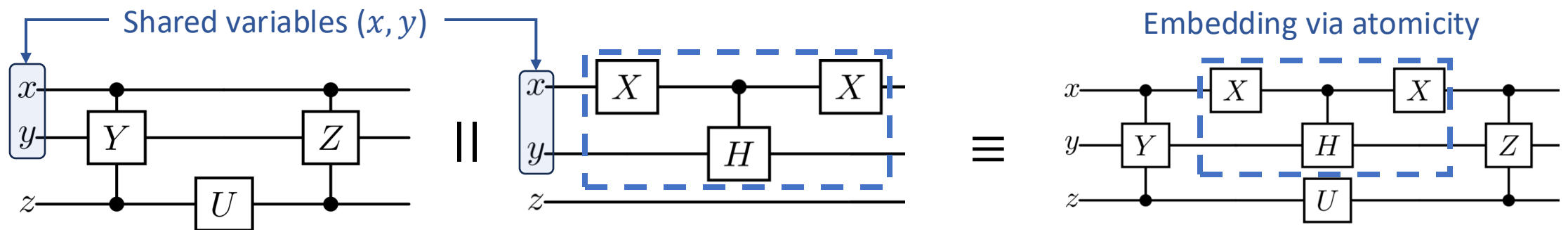
Yusuke Matsushita (Kyoto University)
w/ Kengo Hirata and Ryo Wakizaka

21th January, 2025 @ TPSA 2025

Overview of Our Work

We propose **concurrent quantum separation logic** for **modularly** verifying quantum programs with fine-grained parallelism

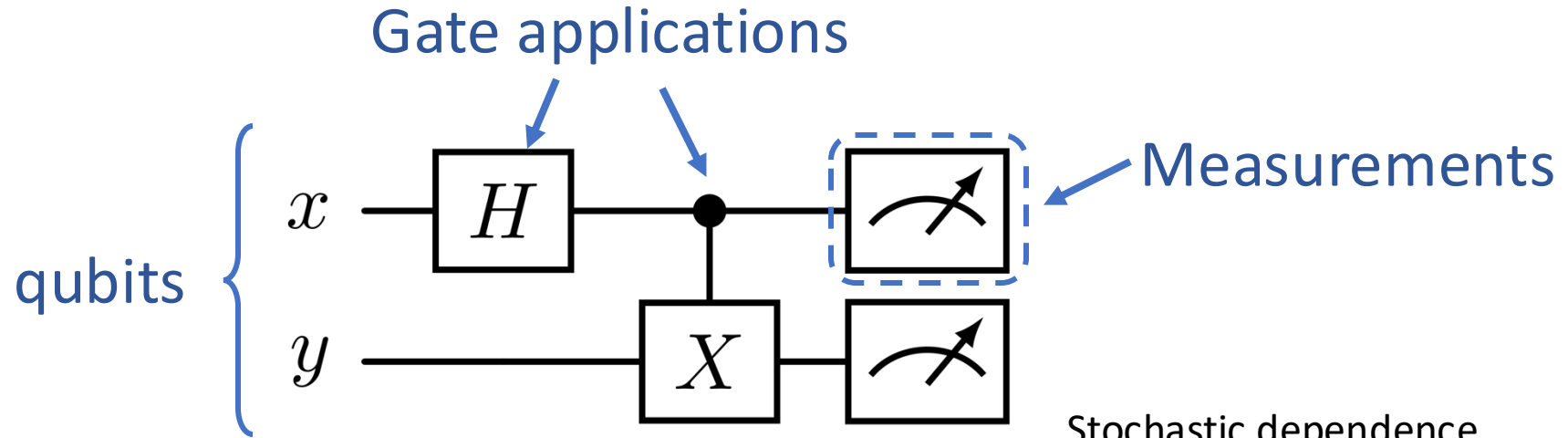
- Compared to existing quantum SLs [Zhou+ LICS'21] [Le+ POPL'22], our logic is the first to support concurrency and the sharing of quantum resources, and can verify non-trivial programs



Outline

- **Preliminaries on Quantum Computing**
- Motivation: Parallelizing Quantum Programs
- Our Work: Concurrent QSL for Fine-Grained Parallelism
- Extension to Probabilistic Reasoning & Conclusion

Quantum Program (Circuit)



$$x, y \mapsto |00\rangle \rightarrow |+\rangle|0\rangle \rightarrow \frac{1}{\sqrt{2}}(|00\rangle + |11\rangle) \rightarrow \begin{cases} |00\rangle & (\text{w.p. } 1/2) \\ |11\rangle & (\text{w.p. } 1/2) \end{cases}$$

Stochastic dependence

$$|\pm\rangle \stackrel{\text{def}}{=} \frac{1}{\sqrt{2}}(|0\rangle \pm |1\rangle)$$

Entangled state

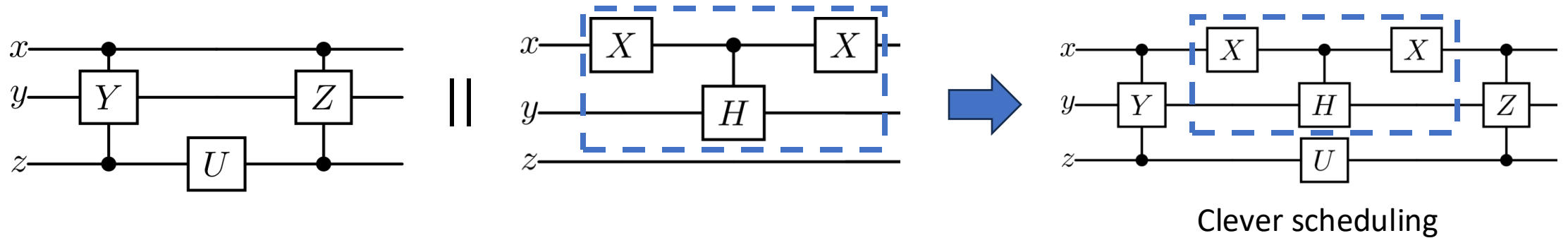
x and y are entangled $\Leftrightarrow x, y \mapsto |\psi\rangle$ such that $\forall |\phi\rangle, |\phi'\rangle. |\psi\rangle \neq |\phi\rangle \otimes |\phi'\rangle$

Outline

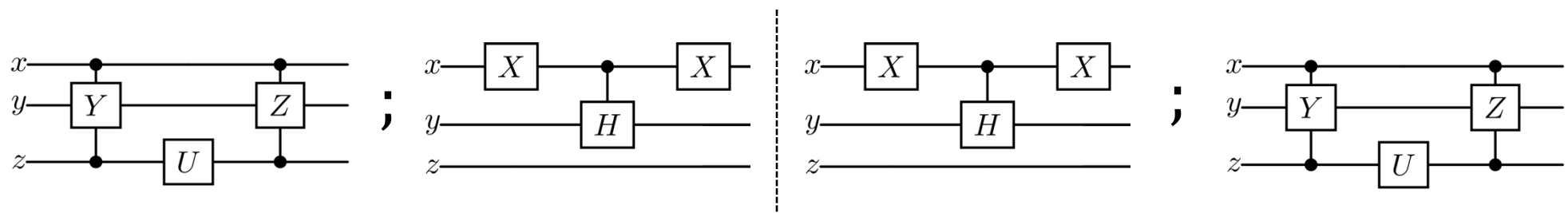
- Preliminaries on Quantum Computing
- **Motivation: Parallelizing Quantum Programs**
- Our Work: Concurrent QSL for Fine-Grained Parallelism
- Extension to Probabilistic Reasoning & Conclusion

Parallelizing Quantum Programs

- **Parallelizing** quantum programs can reduce execution costs

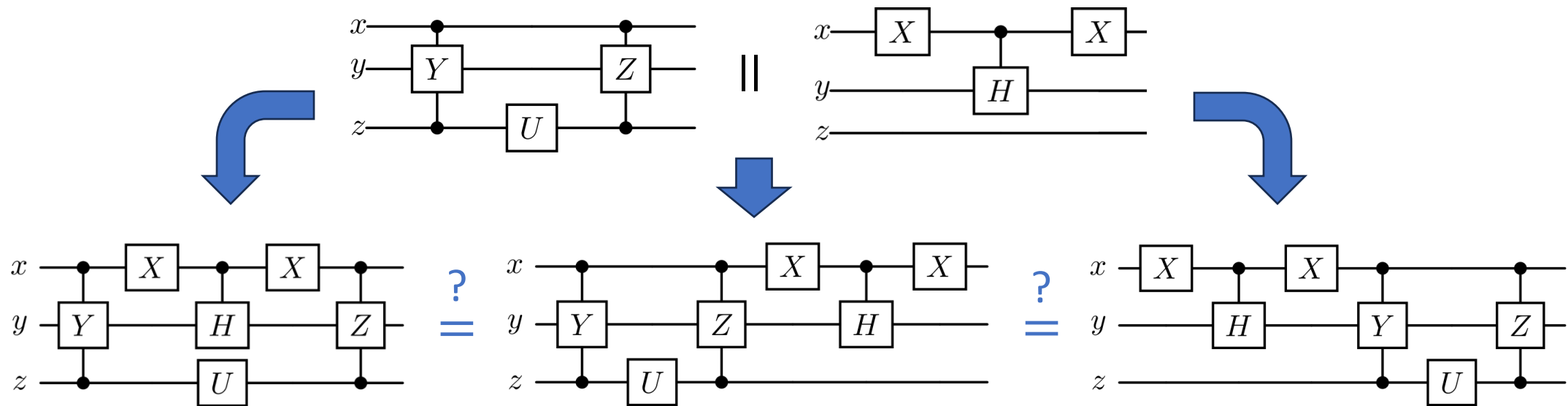


- Other candidates



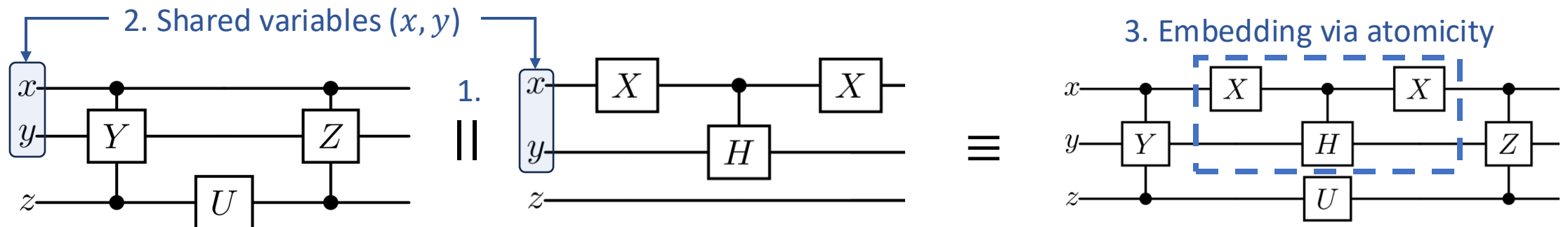
Correctness of Parallelization

- Parallelization allows exponentially many execution traces!
- Need a **modular** program logic for parallel quantum programs
 - Correctness of a parallel program \approx **Uniqueness of the output**



Our Work: Concurrent Quantum Separation Logic for Fine-Grained Parallelism

1. Support parallel execution of quantum processes
2. Support shared quantum variables
 - Even when there are apparent write-write races
3. Support atomic expressions
 - For non-interfered embedding of quantum circuits



Outline

- Preliminaries on Quantum Computing
- Motivation: Parallelizing Quantum Programs
- **Our Work: Concurrent QSL for Fine-Grained Parallelism**
- Extension to Probabilistic Reasoning & Conclusion

Our Target Language

$e ::= x \mid l \mid n \mid () \mid op(\bar{e})$
| `qalloc` (qubit allocation)
| `qfree e` (qubit deallocation) **Quantum**
| `U(\bar{e})` (quantum gate)
| `meas(e)` (qubit measurement)
| `e || e'` (parallel execution) **Concurrency**
| `atomic { e }` (atomic block)
| `!e` | `e ← e'` | `...` (heap)
| `if e { e' } else { e'' }` | `while e { e' }` | `...`

Overview of Our Logic

Invariant

$$\{P\} e \{v. Q\}^I$$

$$\{P\} e \{v. Q\} \triangleq \{P\} e \{v. Q\}^{\text{emp}}$$

$$\begin{aligned}
 P ::= & \top \mid \perp \mid \neg P \mid P \wedge Q \mid P \vee Q \\
 & \mid P \rightarrow Q \mid \forall a. P_a \mid \exists a. P_a \\
 & \mid \text{emp} \mid P * Q \mid P -* Q \quad (\text{SL connectives}) \\
 & \mid l \mapsto v \mid \bar{x} \mapsto |\psi\rangle \mid [x]
 \end{aligned}$$

$$\{ \text{emp} \} \text{qalloc } \{ x. x \mapsto |0\rangle * [x] \} \quad \{ x \mapsto |0\rangle * [x] \} \text{qfree } x \{ \text{emp} \}$$

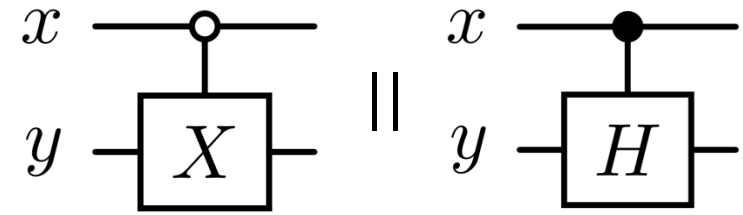
$$\{ \bar{x} \mapsto |\psi\rangle \} U(\bar{x}) \{ \bar{x} \mapsto U|\psi\rangle \} \quad \dots \text{ and more interesting rules!}$$

- **Quantum points-to token** $\bar{x} \mapsto |\psi\rangle$: the state vector of \bar{x} is $|\psi\rangle$
- Separation $*$ means **disentangled** qubit states:

$$\bar{x} \mapsto |\psi\rangle * \bar{y} \mapsto |\phi\rangle \equiv (\bar{x}, \bar{y}) \mapsto |\psi\rangle \otimes |\phi\rangle$$
- **Qubit token** $[x]$ (new!): Qubit x is alive, but its state is unknown

A Simple Example

$$C_0X(x, y) \parallel C_1H(x, y)$$



- Apparent write-write race: X and H gates don't commute ($XH \neq HX$)
- Still, no real race condition: C_0X and C_1H do commute, thanks to the controls by the “cases” where x is $|0\rangle$ or $|1\rangle$ resp.

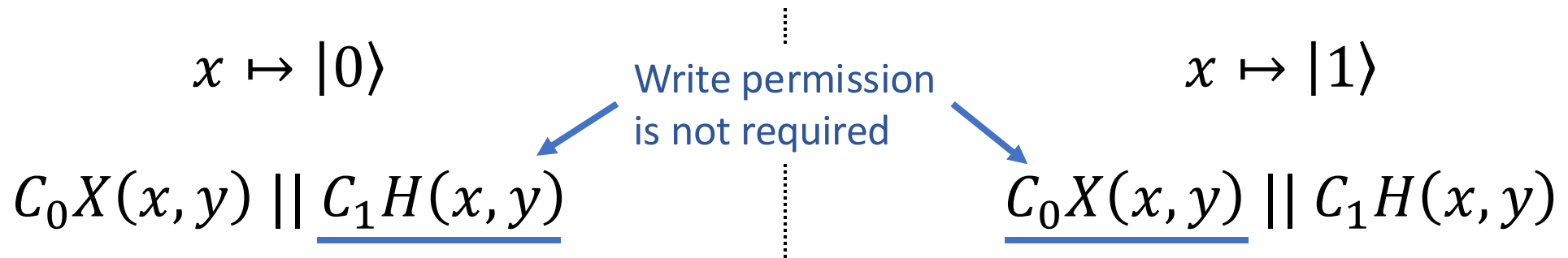
Our Goal: Prove this

$$\{ (x, y) \mapsto (\alpha|0\rangle|\phi_0\rangle + \beta|1\rangle|\phi_1\rangle) * [y] \}$$
$$C_0X(x, y) \parallel C_1H(x, y)$$
$$\{ (x, y) \mapsto (\alpha|0\rangle \otimes X|\phi_0\rangle + \beta|1\rangle \otimes H|\phi_1\rangle) * [y] \}$$

Our Key Observation

$$C_0X(x, y) \parallel C_1H(x, y)$$

- Both processes can write to y simultaneously due to **superposition**
 - If $x \mapsto \alpha|0\rangle + \beta|1\rangle$ for $\alpha, \beta \neq 0$, then both C_0X and C_1H update y
- How to **distribute “write permission”** on y to both processes?
- **Our idea: Quantum case analysis over the bases** of a qubit x



- After the case analysis, only one process writes to the qubit
 \Rightarrow The apparent write-write race is eliminated!

Linear Combination Rule

- This idea can be formalized as **linear combination of Hoare triples**

$$\frac{\{ \bar{x} \mapsto |\psi\rangle * P \} e \{ \bar{x} \mapsto |\phi\rangle * Q \}^I \quad \{ \bar{x} \mapsto |\psi'\rangle * P \} e \{ \bar{x} \mapsto |\phi'\rangle * Q \}^I}{\{ \bar{x} \mapsto (\alpha|\psi\rangle + \beta|\psi'\rangle) * P \} e \{ \bar{x} \mapsto (\alpha|\phi\rangle + \beta|\phi'\rangle) * Q \}^I}$$

- With the side condition Q, I : precise
 - Precise assertions represent a unique (or no) resource
 - e.g., emp , \perp , $l \mapsto v$, $x \mapsto |\psi\rangle$, $l \mapsto v * x \mapsto |\psi\rangle$, ...
 - If not I : precise, the angelic branching on I makes the rule unsound

Now Our Subgoals:

$$\{ (x, y) \mapsto |0\rangle|\phi_0\rangle * [y] \} C_0X(x, y) \parallel C_1H(x, y) \{ (x, y) \mapsto |0\rangle \otimes X|\phi_0\rangle * [y] \}$$

$$\{ (x, y) \mapsto |1\rangle|\phi_1\rangle * [y] \} C_0X(x, y) \parallel C_1H(x, y) \{ (x, y) \mapsto |1\rangle \otimes H|\phi_1\rangle * [y] \}$$

Resource Sharing via Invariants

$$\{ (x, y) \mapsto |0\rangle|\phi_0\rangle * [y] \} C_0X(x, y) \parallel C_1H(x, y) \{ (x, y) \mapsto |0\rangle \otimes X|\phi_0\rangle * [y] \}$$

$$\{ y \mapsto |\phi_0\rangle * [y] \} C_0X(x, y) \parallel C_1H(x, y) \{ y \mapsto X|\phi_0\rangle * [y] \}^{x \mapsto |0\rangle}$$

Share $x \mapsto |0\rangle$
via the **invariant**

$$\{ y \mapsto |\phi_0\rangle \} C_0X(x, y) \{ y \mapsto X|\phi_0\rangle \}^{x \mapsto |0\rangle}$$

$$\{ [y] \} C_1X(x, y) \{ [y] \}^{x \mapsto |0\rangle}$$

$$\{ x \mapsto |0\rangle * y \mapsto |\phi_0\rangle \} C_0X(x, y) \{ x \mapsto |0\rangle * y \mapsto X|\phi_0\rangle \}$$

$$\{ x \mapsto |0\rangle * [y] \} C_1X(x, y) \{ x \mapsto |0\rangle * [y] \}$$

$$\frac{e \text{ is atomic} \quad \{ P * I \} e \{ Q * I \}}{\{ P \} e \{ Q \}^I}$$

$$\frac{\{ P \} e \{ Q \}^{I*J}}{\{ P * I \} e \{ Q * I \}^J}$$

$$\frac{\{ P \} e \{ Q \}^I \quad \{ P' \} e' \{ Q' \}^I}{\{ P * P' \} e \parallel e' \{ Q * Q' \}^I}$$

Anti-Frame Rule by Atomicity

$$\{ x \mapsto |0\rangle * [y] \} C_1 X(x, y) \{ x \mapsto |0\rangle * [y] \}$$

e is atomic P : out x Q : precise

Cf. Frame rule

$$\frac{\forall |\psi\rangle. \{ x \mapsto |\psi\rangle * [x] * P \} e \{ x \mapsto |\psi\rangle * [x] * Q \}}{\{ [x] * P \} e \{ [x] * Q \}}$$

$$\frac{\{ P \} e \{ Q \}}{\{ P * R \} e \{ Q * R \}}$$

- Qubit token $[x]$ allows atomic temporary writes to x
 - e.g., $I(x)$, atomic $\{ X(x); (\dots x \text{ is unchanged } \dots); X(x) \}$
- Other processes can freely access x with the points-to token $x \mapsto |\psi\rangle$
 - Technically, qubit tokens can be used for *dirty qubits*

Complete Proof for $C_0X(x, y) \parallel C_1H(x, y)$

$$\{ (x, y) \mapsto (\alpha|0\rangle|\phi_0\rangle + \beta|1\rangle|\phi_1\rangle) * [y] \}$$

$$\{ x \mapsto |0\rangle * y \mapsto |\phi_0\rangle * [y] \}$$

$$\{ x \mapsto |1\rangle * y \mapsto |\phi_1\rangle * [y] \}$$

$$\{ y \mapsto |\phi_0\rangle * [y] \}^{x \mapsto |0\rangle}$$

$$\{ y \mapsto |\phi_1\rangle * [y] \}^{x \mapsto |1\rangle}$$

$$C_0X(x, y) \parallel C_1H(x, y)$$

$$\{ y \mapsto X|\phi_0\rangle * [y] \}^{x \mapsto |0\rangle}$$

$$\{ y \mapsto H|\phi_1\rangle * [y] \}^{x \mapsto |1\rangle}$$

$$\{ x \mapsto |0\rangle * y \mapsto X|\phi_0\rangle * [y] \}$$

$$\{ x \mapsto |1\rangle * y \mapsto H|\phi_1\rangle * [y] \}$$

$$\{ (x, y) \mapsto (\alpha|0\rangle \otimes X|\phi_0\rangle + \beta|1\rangle \otimes H|\phi_1\rangle) * [y] \}$$

$$\{ y \mapsto |\phi_0\rangle \}^{x \mapsto |0\rangle} \{ [y] \}^{x \mapsto |1\rangle}$$

$$\{ y \mapsto |\phi_0\rangle * x \mapsto |0\rangle \} \{ [y] * x \mapsto |1\rangle \}$$

$$C_0X(x, y)$$

$$\{ y \mapsto X|\phi_0\rangle * x \mapsto |0\rangle \} \{ [y] * x \mapsto |1\rangle \}$$

$$\{ y \mapsto X|\phi_0\rangle \}^{x \mapsto |0\rangle} \{ [y] \}^{x \mapsto |1\rangle}$$

$$\{ [y] \}^{x \mapsto |0\rangle} \{ y \mapsto |\phi_1\rangle \}^{x \mapsto |1\rangle}$$

$$\{ [y] \} \{ y \mapsto |\phi_1\rangle * x \mapsto |1\rangle \}$$

$$C_1H(x, y)$$

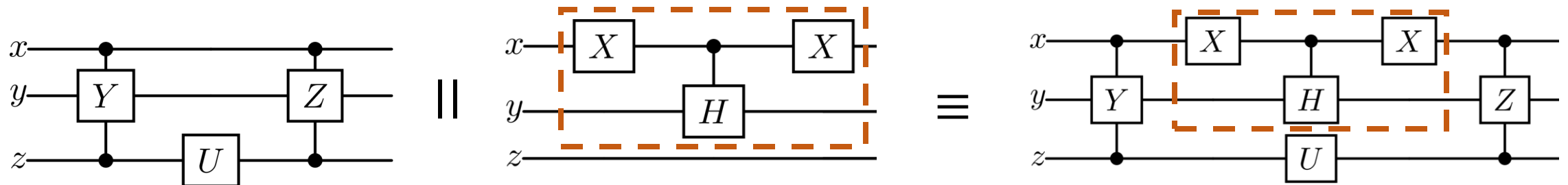
$$\{ [y] * x \mapsto |0\rangle \} \{ y \mapsto H|\phi_1\rangle * x \mapsto |1\rangle \}$$

$$\{ [y] \}^{x \mapsto |0\rangle} \{ y \mapsto H|\phi_1\rangle \}^{x \mapsto |1\rangle}$$

$$\{P_1\} \{P_2\} e \{Q_1\} \{Q_2\} \stackrel{\text{def}}{=} \{P_1\} e \{Q_1\} \wedge \{P_2\} e \{Q_2\}$$

$$\{P_1\} e \{Q_1\} \wedge \{P_2\} e \{Q_2\}$$

More Complex Example



$$\{(x, y, z) \mapsto (\alpha|0\rangle|\psi_{yz}\rangle + \beta|1\rangle|\phi_{yz}\rangle) * [y] * [z] * \dots\}$$

Invariant

$$x \mapsto |0\rangle * [y] * [z]$$

||

Invariant

$$x \mapsto |0\rangle * (y, z) \mapsto |\psi_{yz}\rangle$$

$$CCY(x, z, y); U(z); CCZ(x, z, y) \quad || \quad \text{atomic} \{ X(x); CH(x, y); X(x) \}$$

x is updated only **temporarily**

$$\{(x, y, z) \mapsto (\alpha|0\rangle \otimes H_y U_z |\psi_{yz}\rangle + \beta|1\rangle \otimes CCY_{xzy} U_z CCZ_{xzy} |\phi_{yz}\rangle) * \dots\}$$

Another Fun Thing: Commuting Matrices

We can verify parallelization of arbitrary commuting matrices

- Since commutative matrices are simultaneously diagonalizable

$$\{ x \mapsto (\alpha|0\rangle + \beta|1\rangle) \}$$

$$\{ x \mapsto |0\rangle \} \{ x \mapsto |1\rangle \}$$

$$\{ () \mapsto 1 \}^{x \mapsto |0\rangle} \{ () \mapsto 1 \}^{x \mapsto |1\rangle}$$

$$R_{\theta_1}(x) \parallel R_{\theta_2}(x)$$

$$\{ () \mapsto 1 \}^{x \mapsto |0\rangle} \{ \underline{() \mapsto e^{i(\theta_1 + \theta_2)}} \}^{x \mapsto |1\rangle}$$

$$\{ x \mapsto |0\rangle \} \{ x \mapsto e^{i(\theta_1 + \theta_2)} |1\rangle \}$$

$$\{ x \mapsto (\alpha|0\rangle + \beta e^{i(\theta_1 + \theta_2)} |1\rangle) \}$$

$R_{\theta_1}(x)$ and $R_{\theta_2}(x)$ have the same eigenvectors $\{|0\rangle, |1\rangle\}$

\Rightarrow Quantum case analysis by $|0\rangle, |1\rangle$

Global phases can be tracked with empty-qubit points-to tokens

Outline

- Preliminaries on Quantum Computing
- Motivation: Parallelizing Quantum Programs
- Our Work: Concurrent QSL for Fine-Grained Parallelism
- **Extension to Probabilistic Reasoning & Conclusion**

Extension to Probabilistic Reasoning

- Want to support quantum measurements!
- Challenge: Precise reasoning about **probabilistic** behavior
 - **Density matrix**, probabilistic distribution modulo equalities
 - e.g., $\frac{1}{2}|0\rangle\langle 0| + \frac{1}{2}|1\rangle\langle 1| = \frac{1}{2}|+\rangle\langle +| + \frac{1}{2}|-\rangle\langle -| = \frac{1}{2}\begin{pmatrix} 1 & 0 \\ 0 & 1 \end{pmatrix}$
- Our idea: Refine **Demonic Outcome Logic** [Zilberstein+ POPL'25] & its CSL variant [Zilberstein+ arXiv]
 - Key mechanism: **Probabilistic combination** $P +_p Q$
 - Solves the limitations of the existing quantum SL [Le+ POPL'22]
 - Model: **Convex PCM** (new!), a hybrid of convex space & PCM

Teaser of Our Probabilistic Quantum SL

- On probabilistic combinations

$$P +_p Q \equiv Q +_{1-p} P \quad (P +_p Q) +_q R \equiv P +_{pq} (Q +_{\frac{(1-p)q}{1-pq}} R)$$

$$P \vdash P +_p P \quad P: \text{convex} \stackrel{\text{def}}{=} \forall p. P +_p P \equiv P$$

$$\text{Convex hull modality } \Delta P \stackrel{\text{def}}{=} \exists \bar{p} \in (0,1)^* \text{ s.t. } \sum \bar{p} = 1. \sum_i p_i P$$

$$P \vdash \Delta P \quad \Delta \Delta P \equiv \Delta P \quad \Delta P: \text{convex} \quad \Delta (P +_p Q) \equiv \Delta P +_p \Delta Q$$

$$(P +_p Q) * R \equiv P * R +_p Q * R \quad \text{if } R: \text{precise}$$

$$\{ \text{emp} \} v \oplus_p v' \{ \langle v \rangle +_p \langle v' \rangle \} \quad \{ \text{emp} \} \text{ndint} \{ \Delta (\exists n. \langle n \rangle) \}$$

- Quantum

$$\bar{x} \mapsto \rho +_p \bar{x} \mapsto \rho' \equiv \bar{x} \mapsto (p\rho + (1-p)\rho')$$

$$\{ x \mapsto \rho \} \text{meas}(x) \left\{ \langle 0 \rangle * x \mapsto \frac{1}{p} P r_0 \rho P r_0 +_p \langle 1 \rangle * x \mapsto \frac{1}{1-p} P r_1 \rho P r_1 \right\}$$

$$\text{where } p = \text{tr}(P r_0 \rho)$$

Conclusion

- We proposed a concurrent quantum separation logic for modular verification of fine-grained parallelism
- Our logic supports shared quantum resources via invariants, the linear combination rule, and the anti-frame rule by atomicity
- Future work
 - More powerful concurrency reasoning
 - Automated optimization of quantum programs & its verification